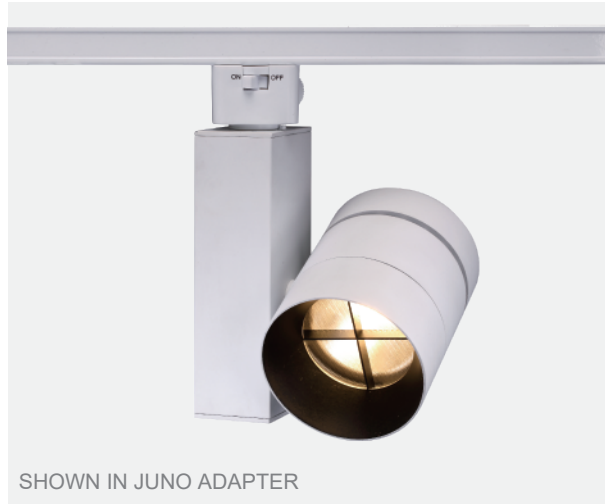


Specification sheet

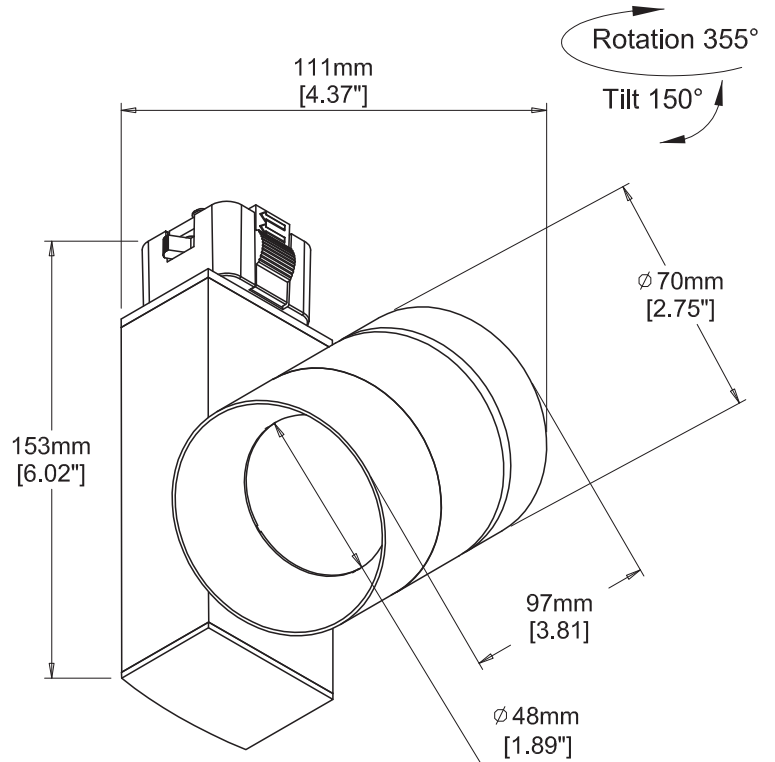
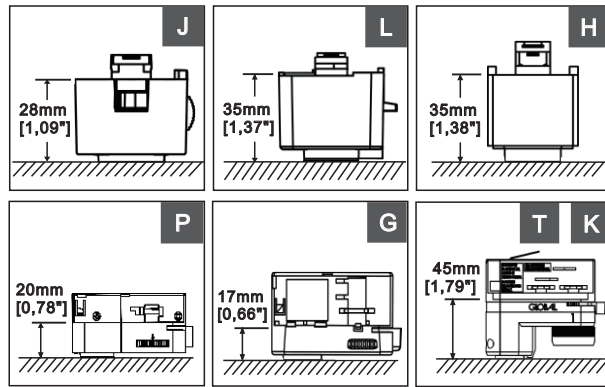
REV. 4

Classic VS3 Vertical Spot Midi (Global / Juno / Halo/Power Gear)



1. Juno is a registered trademark of Juno Lighting
2. Halo is a registered trademark of Cooper Lighting
3. Lightolier is a registered trademark of Philips Lighting

SHOWN IN JUNO ADAPTER



Description

Classic VS3 is a high-performance and versatile LED track spotlight designed for any professional, commercial, and architectural applications. This luminaire delivers up to 1400 lm while consuming just 20 watts. The soft-focus lens and glare-cutoff bezel provides superior visual experiences. Owing to a twist-lock bezel design, the reflectors and accessory chambers are easily accessible in the field. The accessory chamber could hold up to three accessories for the most demanding applications. Integrated class 2 isolated driver is fine-tuned to provide best dimming performance and efficacy for this luminaire. Classic VS3 offers a wide array of options for beam angles, track adapters, and accessories making it suitable for your most demanding projects.

Features

LED	Lumiled Luxeon COB 1205
Color temperature	2700K, 3000K, 3500K, 4000K
Optics	Spot 23° / Medium 30° / Wide 41°
Accessories	Cross baffle / Honey Comb Louver
Driver	Integrated Class 2 driver, Power Factor >0.90

Performance

Delivered output	Up to 1400 lm
Power consumption	21 Watt
Color rendering	80+CRI (90 CRI optional)
CBCP	Spot 4713 cd/ Medium 4226 cd/ Wide 3320cd

Electrical and Control

Input voltage	See the ordering code
Control	TRIAC/ELV dimming
Feature	0-10V(Please consult factory)
Feature	Overload & short circuit protection

Construction

Material	Aluminum
Finishes	Black/ White/ Brushed Aluminum
Lens	Interchangeable optics

Rating/ Certification/ Warranty

- Dry and damp Locations
- RoHS compliant
- UL classified E465197
- 5 years/ 50,000 hrs warranty

Ordering Code Information

PRODUCT	TRACK SYSTEM	LUMEN	COLOR TEMPERATURE	FINISH	BEAM ANGLE	INPUT VOLTAGE
CLS VS3	J	16	27	WH	S	1

CLS VS3

H Halo track compatible
 J Juno track compatible
 L Lightoller track compatible
 G Global-3 circuit, GA69
 K Global HTEK HTEK100
 P Power Gear- 3 wire, 3 circuit
 T Global TEK TEK100

16 1400 lm

27 (2700K)
 30 (3000K)
 35 (3500K)
 40 (4000K)

WH (White)
 BK (Black)
 AL (Aluminium)

S (Spot) / 23 deg.
 M (Medium) / 30 deg.
 W (Wide) / 41 deg.

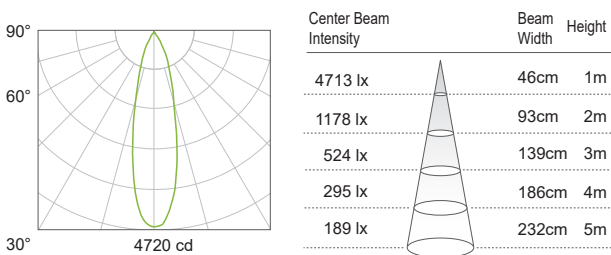
1 (120V)
 2 (120-240V)
 3 (120-277V)
 4 (220-240V)
 7 (277V)

Photometrics

21W | 80CRI | 3000K

Spot 23°

Delivered Output : 1441 lm | CBCP : 4713 cd | Beam Angle : 27.3°

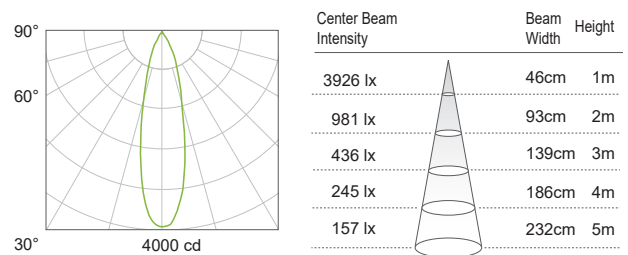


Photometrics

21W | 90CRI | 3000K

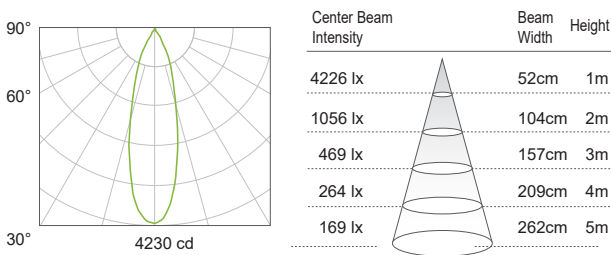
Spot 23°

Delivered Output : 1200 lm | CBCP : 3926 cd | Beam Angle : 27.3°



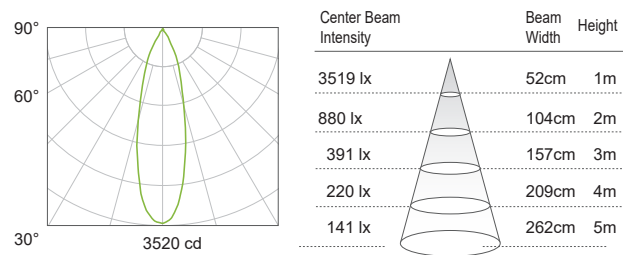
Medium 30°

Delivered Output : 1469 lm | CBCP : 4226 cd | Beam Angle : 30.5°



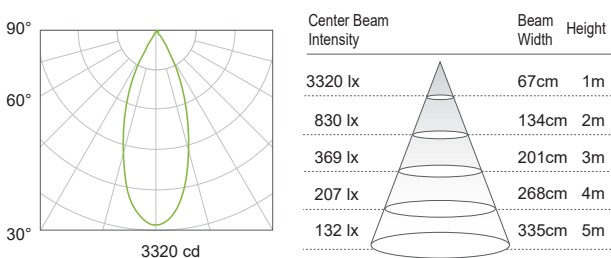
Medium 30°

Delivered Output : 1223 lm | CBCP : 3519 cd | Beam Angle : 30.5°



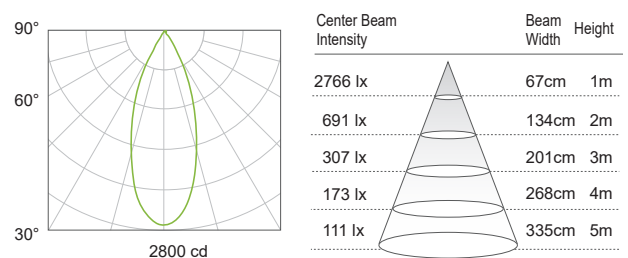
Wide 41°

Delivered Output : 1502 lm | CBCP : 3320 cd | Beam Angle : 37°



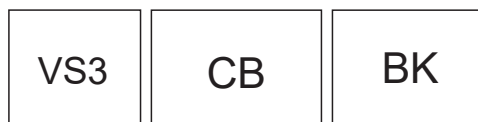
Wide 41°

Delivered Output : 1251 lm | CBCP : 2766 cd | Beam Angle : 37°



Optional Accessory

Cross Baffle



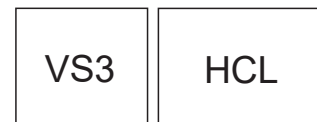
CLS VS3

Cross Baffle

BK Black



Honey Comb Louver



CLS VS3

HCL
 Honey Comb Louver

